

Frequency • 118 - 137 Mhz

Features high strength fiberglass "stick" radiator and die-cast 3-hole mount aluminum base. Virtually identical in appearance to many Cessna communication antennas and most LORAN antennas.

The CI 291 has been re-tested and upgraded to the new RTCA DO-160D environmental requirements and offers the 118 to 137 MHz frequency associated with DO 186A MOPS.



MODEL - CI 291

Electrical

Frequency	118-137
VSWR	2.5:1 Maximum
Polarization	Vertical
Radiation Pattern	Omnidirectional
Impedance RF	50 Ohms
Power RF	50 Watts

Mechanical

Weight	0.5 lbs Max.
Height	18 7/8 inches Max.
Material	Cast Housing / Fiberglass whip
Finish	Polyurethane Enamel
Connector	BNC (female)

Environmental

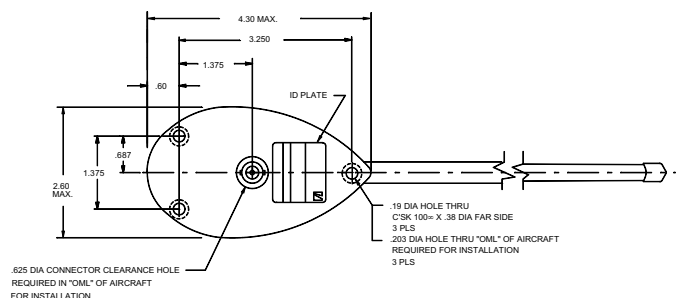
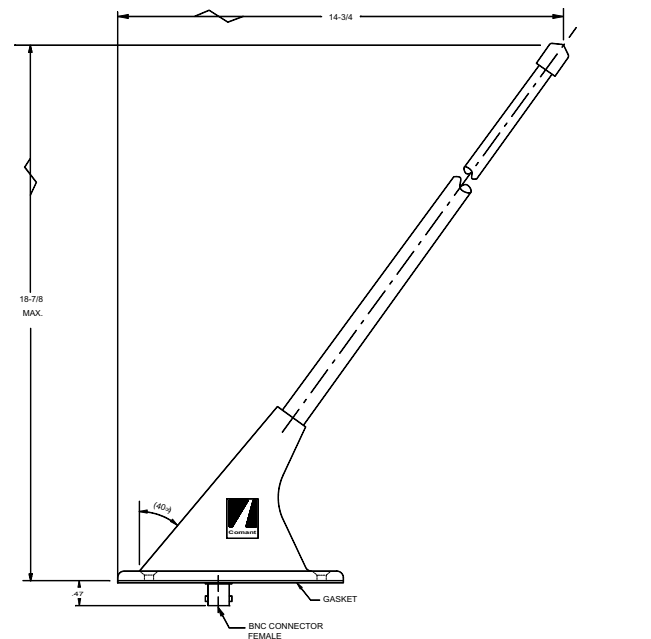
Temperature	-55 to +85 Celcius
Altitude	50,000 ft.
Airspeed	250 KTAS

Federal Specifications

FAA TSO	C37d, C38d
RTCA Environmental	DO-160D

Gasket

C29205	Cork Neoprene
--------	---------------



Warning: Drawing not to scale. Use factory supplied drawings and specifications for installation. Refer to FAA AC 43.13-2A for installation guidelines. © 2006 Comant Industries, Inc. Patented. Other Patents Pending.