

## Frequency • 118 - 137 Mhz

Similar to the CI 109, the CI 121 is smaller in diameter and lighter at only 0.5 pounds. Features a tapered glass laminate housing and die-cast aluminum base. Offers standard mounting and appearance to many Cessna communication antennas. The CI 121 has been re-tested and upgraded to the new RTCA DO-160D environmental requirements and offers the 118 to 137 MHz frequency associated with DO-186A MOPS.



### MODEL - CI 121

#### Electrical

Frequency	118-137
VSWR	2.5:1 Maximum
Polarization	Vertical
Radiation Pattern	Omnidirectional
Impedance RF	50 Ohms
Power RF	50 Watts

#### Mechanical

Weight	0.5 lbs Max.
Height	18.50 inches Max.
Material	Cast Housing / Fiberglass whip
Finish	Polyurethane Enamel
Connector	BNC (female)

#### Environmental

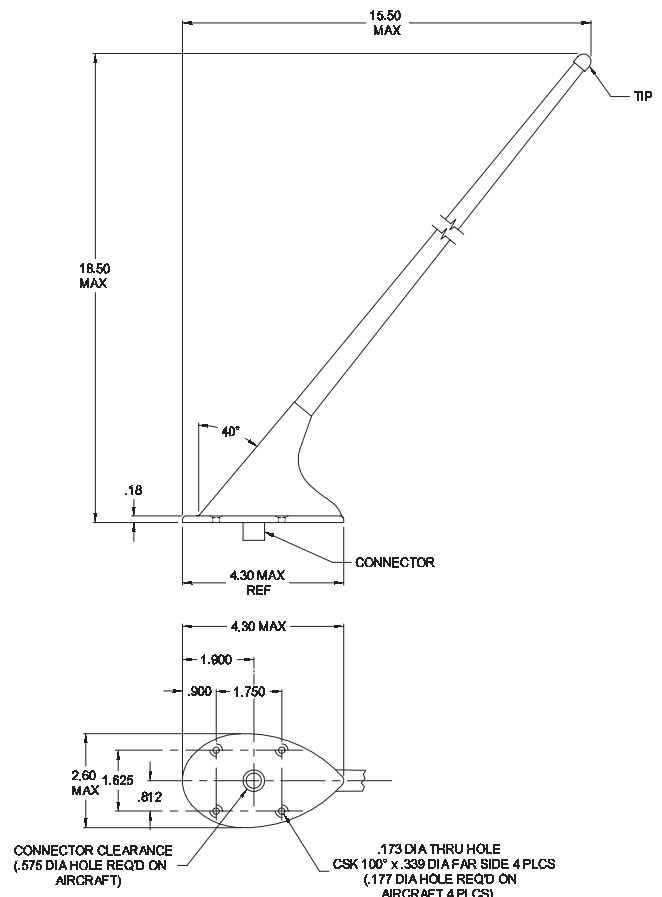
Temperature	-55 to +85 Celcius
Altitude	50,000 ft.
Airspeed	250 KTAS

#### Federal Specifications

FAA TSO	C37d, C38d
RTCA Environmental	DO-160D

#### Gasket

B12607-3	Cork Neoprene
----------	---------------



**Warning:** Drawing not to scale. Use factory supplied drawings and specifications for installation. Refer to FAA AC 43.13-2A for installation guidelines. © 2006 Comant Industries, Inc. Patented. Other Patents Pending.