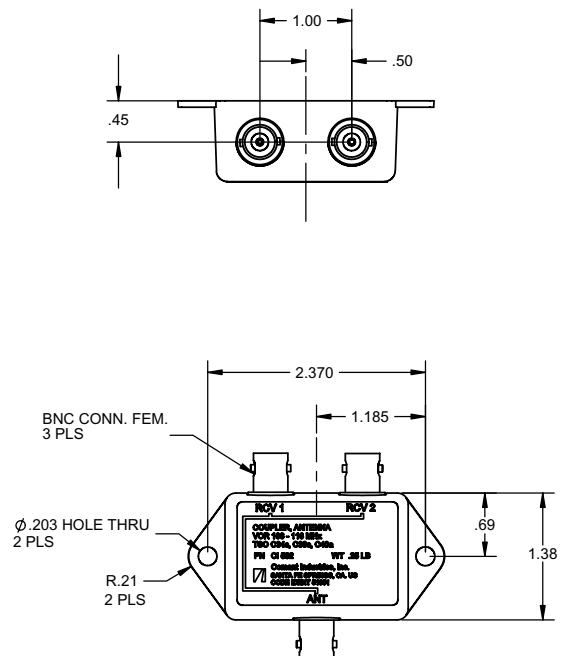


Frequency • 108-118 MHz

Dual VOR coupler allows the simultaneous use of two VOR receivers from one VOR antenna. Compact design makes for easy installation.



MODEL - CI 502 Coupler	
Electrical	
Frequency	108-118 MHz
VSWR	1.5:1 Maximum
Isolation	20 dB Minimum
Insertion Loss	0.5 dB Maximum
Impedance	50 Ohms
Mechanical	
Weight	0.25 lbs
Height	0.88 inches
Construction	Die Cast Aluminum
Finish	Aluminum
Connector	BNC (female)
Environmental	
N/A	Internal Mounting
Federal Specifications	
FAA TSO	C34c, C36c, C40a



Warning: Drawing not to scale. Use factory supplied drawings and specifications for installation. Refer to FAA AC 43.13-2A for installation guidelines. © 2006 Comant Industries, Inc. Patented. Other Patents Pending.