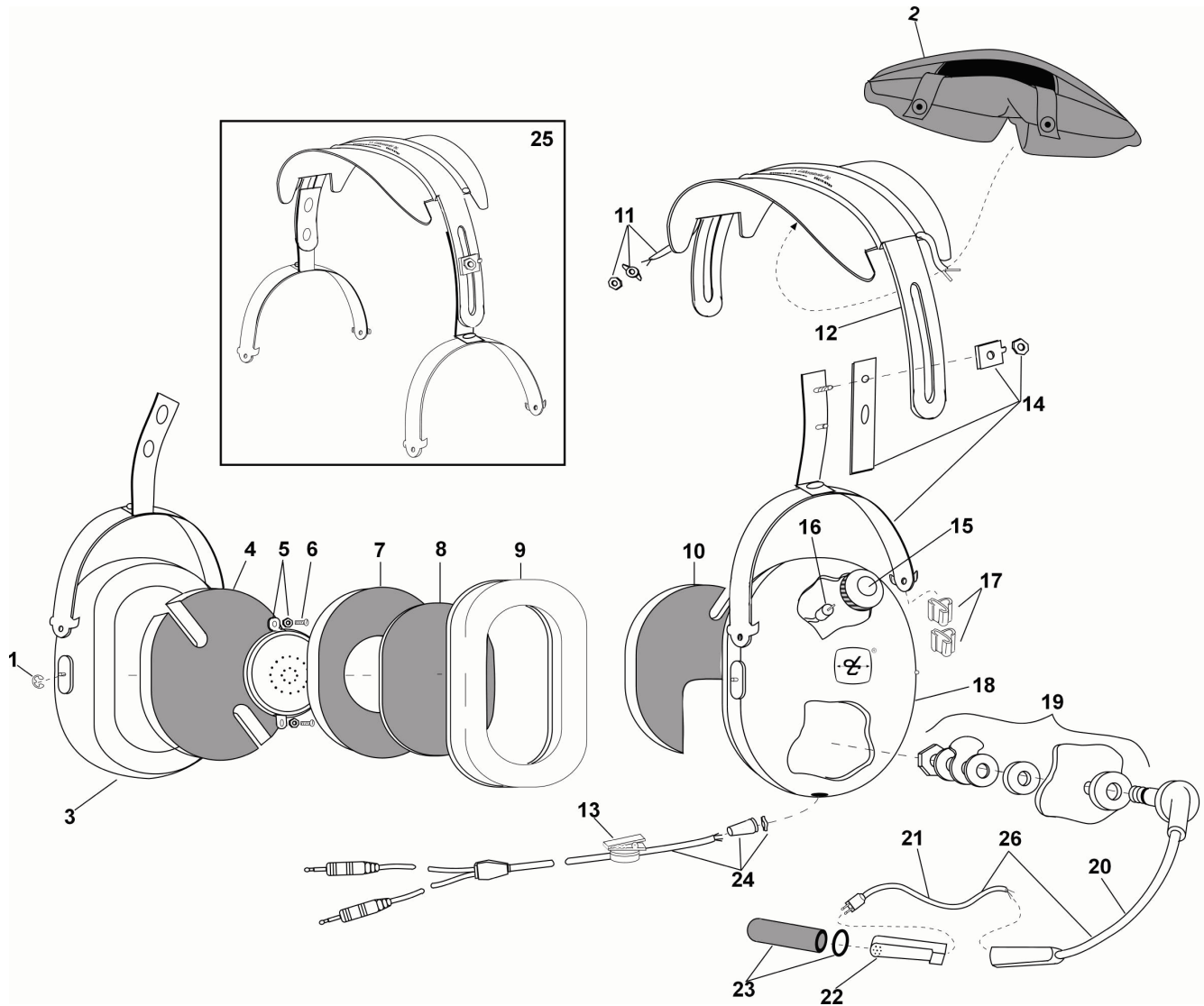


# David Clark COMPANY INCORPORATED

360 Franklin Street, Box 15054, Worcester, MA 01615-0054  
 TEL.: (508) 751-5800 E-Mail: sales@DavidClark.com FAX: (508) 753-5827

## PARTS LIST MODEL H10-13Y



No.	Description	Part No.
1	Retaining Ring (10/pk)	00009M-03
2	Headpad Restraint, Foam	40867G-01
3	Right Dome	15253P-04
4	Filter	26475P-02
5	Earphone Assembly	10376G-20
6	Screw/Grommet (4/pk)	18900G-47
7	Filter	25629P-03
8	Filter	14096P-09
9	Undercut Gel Earseal (pair)	40863G-02
10	Filter	26475P-08
11	Overhead Cord Kit	22607G-01
12	Headband Spring	15452P-01
13	Clothing Clip	18900G-86

No.	Description	Part No.
14	Stirrup & Clamp Kit	22378G-14
15	Volume Control Knob	15109P-01
16	Volume Control	09349P-34
17	Clip, Cord (4/pk)	15350P-02
18	Left Dome	15253P-03
19	Boom Attachment Kit	12840G-08
20	Mic Boom Assy	18688G-02
21	Mic Plug Cord	18744G-01
22	M-7A Electret Mic	09168P-33
23	Mic Protector	40062G-02
24	Comm Cord Kit	18028G-01
25	Conversion Kit (Adult Sizing)	40139G-03
26	Flex Boom Assy	18740G-04

ELECTRICAL SCHEMATIC  
MODEL H10-13Y

